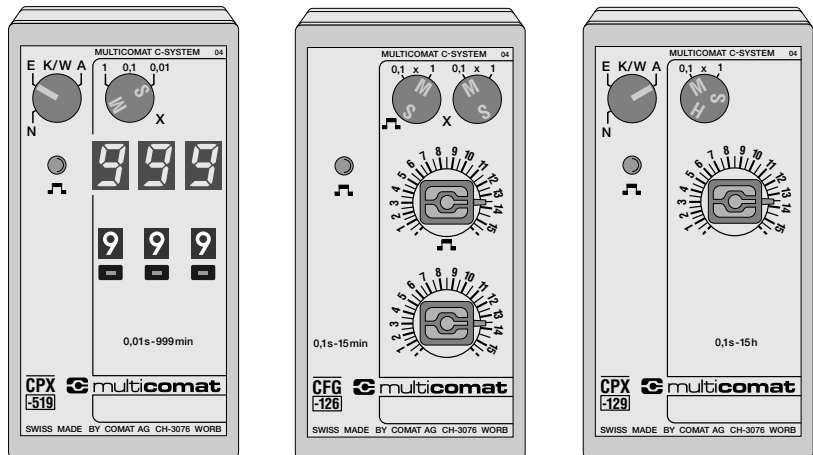


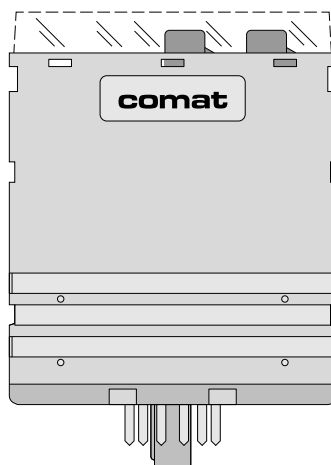
Plug-in time delay relays

C



Main characteristics

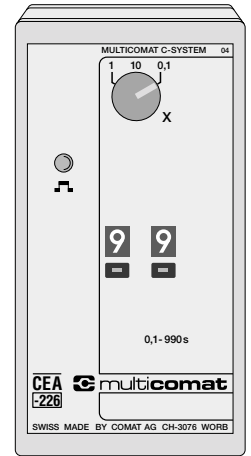
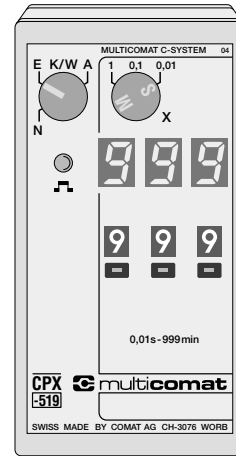
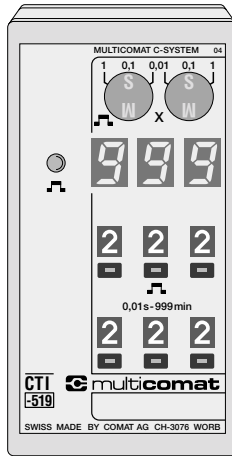
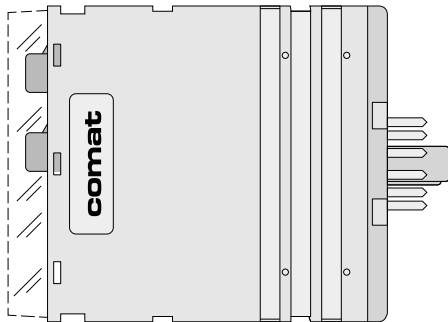
- Plug-in industrial time delay relay with 2 delay changeover contacts.
- 11 pin submagnal plug as specification IEC 67-1-18a.
- Suitable for front panel mounting with accessory FZ-23.
- With transparent front cover FS-23.
- Programmable timing modes and time ranges.
- Digital indication of the residual time sequence.
- Digital time setting by decade switches or analog setting by potentiometer.
- Quartz time basis or RC oscillator with frequency divider.
- LED display of the relay function.
- Drive by two-wire proximity switch NAMUR or by potential free control contact.
- Pin-compatible for one or several timing modes.
- Conform with CE; IEC255.



Kühn Controls S.L.
 Vertriebsbüro Deutschland
 Gräfenhäuser Str. 14
 D-75305 Neuenbürg
 Tel.: +49- (0)7082-940000
 Fax: +49- (0)7082-940001
 eMail: sales@kuehn-controls.de
 www.multicomat.net



This issue replaces all previous issues.
Availability, errors and specifications subject to change without notice.



CTI-519

CPX-519

CEA-226

Specification

Functions	
Connection diagram no.	22/23
Method of programming	22/23
Time ranges	
Partial ranges	2x6
1	0,01 – 9,99s
2	0,1 – 99,9s
3	1 – 999s
4	0,01 – 9,99min
5	0,1 – 99,9min
6	1 – 999min
Voltages	
AC 50/60 Hz	-15/+10%
AC 50/60 Hz	-15/+10%
AC 40/60 Hz or DC	-20/+25%
AC 40/60 Hz or DC	-20/+25%
DC	-15/+10%

Repeat cycle timer

Pulse: interval
= 1:5,994 millions

I	22/23
2x0,01s-999min	2x6
	0,01 – 9,99s
	0,1 – 99,9s
	1 – 999s
	0,01 – 9,99min
	0,1 – 99,9min
	1 – 999min
ANX:	AC 110–240V~
UFK:	UC 24–48V~
UCB:	UC 12V~
DNX:	DC 110–240V=

Time delay relay

2 delay functions
3 single shot timing modes

E A K W N	22/23 23 23 22 23
Switch	6
0,01s-999min	6
	0,01 – 9,99s
	0,1 – 99,9s
	1 – 999s
	0,01 – 9,99min
	0,1 – 99,9min
	1 – 999min
ANX:	AC 110–240V~
UFK:	UC 24–48V~
UCB:	UC 12V~
DNX:	DC 110–240V=

Time delay relay

on delay or
off delay

E A	22/23 24
Connection	5-6-7
0,1s-990s	3
	0,1 – 9,9s
	1 – 99s
	10 – 990s
ATX:	AC 220–240V~
ANP:	AC 110–120V~
UFK:	UC 24–48V~
UCB:	UC 12V~
DNX:	DC 110–240V=

Output circuit

Switching current max.	6A
Switching voltage max.	250V~
Switching capacity	AC: 1200VA; DC: ...250W
Mechanical life	30 million operations
Contact material	Ag Ni 90/10

¹⁾ Values for resistiv load or for inductive loading with spark suppression. Other contact material on request.

General³⁾

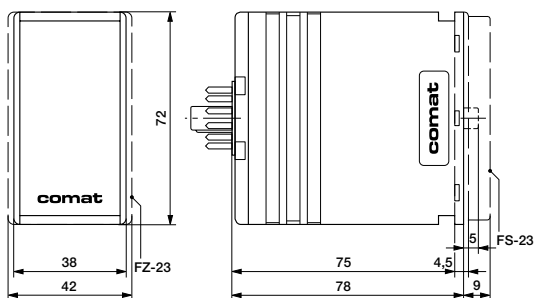
Repeat accuracy	±2 [10] ms ¹⁾
Voltage stability	±2 ms ²⁾
Temperature stability	±0,03 % ²⁾
Time range tolerance max.	±0,05 %
Setting accuracy	±0,05 %
Reset time during t	50 [100] ms
Reset time after time expiry	50 ms
Triggering time	≥ 15 ms
Triggering delay time	10... 15 ms
Load of S (6 – 7)	12V= / 2,5 mA
Control line	max. 50Ω
Ambient temperature range	-25...+60°C
Storage temperature range	-25...+85°C
Climate	relative humidity 10–95%
Transient voltage protection	CE, IEC 255.4, annex E, Kl. III
Testing voltage	2 kV, 50 Hz, 1 min
Standards	VDE 0435/0110 Gr. C, CE
Protection/case material	IP40/Noryl SE1 (UL 94V-I)
Weight incl. packing	approx. 135g, with transf. 230g

Type C..-519 - 226

Repeat accuracy	±2 [10] ms ¹⁾
Voltage stability	±2 ms ²⁾
Temperature stability	±0,03 % ²⁾
Time range tolerance max.	±0,05 %
Setting accuracy	±0,05 %
Reset time during t	50 [100] ms
Reset time after time expiry	50 ms
Triggering time	≥ 15 ms
Triggering delay time	10... 15 ms
Load of S (6 – 7)	12V= / 2,5 mA
Control line	max. 50Ω
Ambient temperature range	-25...+60°C
Storage temperature range	-25...+85°C
Climate	relative humidity 10–95%
Transient voltage protection	CE, IEC 255.4, annex E, Kl. III
Testing voltage	2 kV, 50 Hz, 1 min
Standards	VDE 0435/0110 Gr. C, CE
Protection/case material	IP40/Noryl SE1 (UL 94V-I)
Weight incl. packing	approx. 135g, with transf. 230g

Type C..-129 - 102

Repeat accuracy	±0,5% [15 ms] ¹⁾
Voltage stability	±1 % ²⁾
Temperature stability	±0,1 %/°C
Time range tolerance max.	-0+0,5 %
Setting accuracy	-0/+5 %
Reset time during t	50 [100] ms
Reset time after time expiry	50 ms
Triggering time	≥ 15 ms
Triggering delay time	10... 15 ms
Load of S (6 – 7)	12V= / 2,5 mA
Control line	max. 50Ω
Ambient temperature range	-25...+60°C
Storage temperature range	-25...+85°C
Climate	relative humidity 10–95%
Transient voltage protection	CE, IEC 255.4, annex E, Kl. III
Testing voltage	2 kV, 50 Hz, 1 min
Standards	VDE 0435/0110 Gr. C, CE
Protection/case material	IP40/Noryl SE1 (UL 94V-I)
Weight incl. packing	approx. 120g, with transf. 215g



Front mounting accessory FZ-23 (□ 38,5 x 70^{+0,5} mm, max. 3mm thick).
Transparent front cover FS-23 (part of the scope of delivery).

[] = with voltage control operation
³⁾ Data at Tamb = 25°C and U_{nom}

¹⁾ referred to the set time
²⁾ max. tolerance total

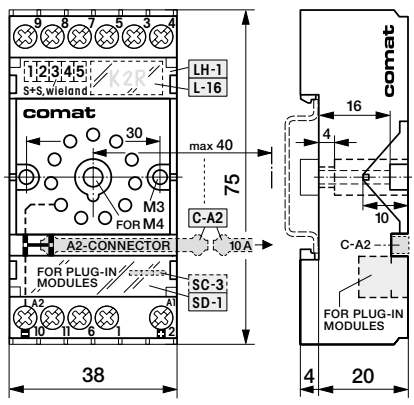
¹⁾ referred to the set time
²⁾ max. tolerance total

Case S3

This issue replaces all previous issues.
Availability, errors and specifications subject to change without notice.

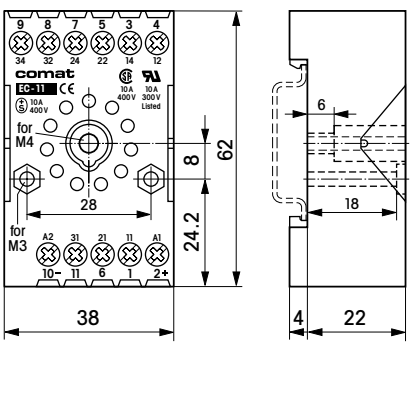
SWISS MADE BY COMAT AG  3076 WORB

C11A Relay socket with screw, connections for panel or DIN mounting-snap fit



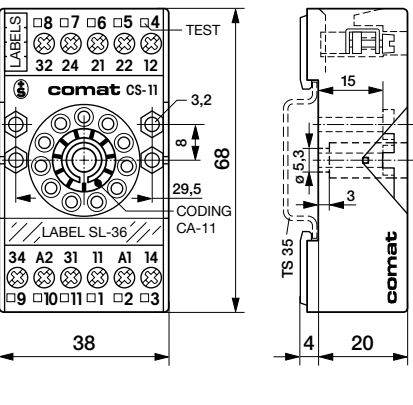
Labels: LH-1, L-16, C-A2, SC-3, SD-1. Dimensions: 38, 75, max 40, 16, 4, 10, 20, 4, 30, 10A, 10, 6, 12, 14, 16, 18, 20, 22, 24, 26, 28, 30, 32, 34, 36, 38.

EC-11 Relay socket with screw, connections for panel or DIN mounting-snap fit



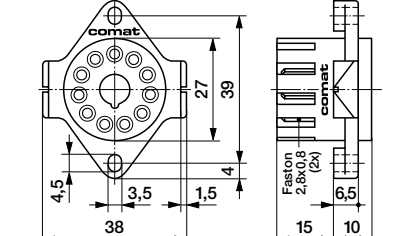
Labels: comat, 10A 30V 400V 300V Rated. Dimensions: 38, 62, 8, 24.2, 4, 22, 6, 18, 28, 34, 32, 24, 22, 14, 12, 10, 8, 6, 4, 2.

CS-11 Relay socket with screw, connections for panel or DIN mounting-snap fit



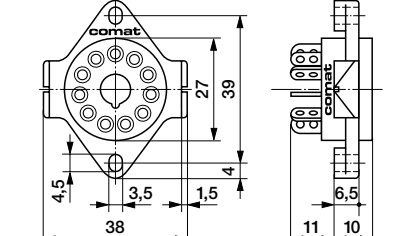
Labels: TEST, CODING CA-11, LABEL SL-36. Dimensions: 38, 68, 3.2, 8, 29.5, 15, 3, 3, 4, 20, 4, 15, 18, 22, 24, 22, 12, 10, 8, 6, 4, 2, 1, 2, 3, 4, 5, 6, 7, 8, 9, 10, 11, 12, 13, 14, 15, 16, 17, 18, 19, 20, 21, 22, 23, 24, 25, 26, 27, 28, 29, 30, 31, 32, 33, 34, 35, 36, 37, 38, 39, 40.

11 PGF Relay socket for fasten connectors (2xAMP 2,8x0,8 DIN 46247)



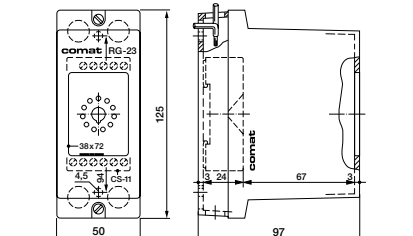
Labels: Faston 2,8x0,8 (2x). Dimensions: 38, 27, 39, 4, 1,5, 3,5, 4,5, 15, 10, 6,5, 4, 3, 2, 1, 2, 3, 4, 5, 6, 7, 8, 9, 10, 11, 12, 13, 14, 15, 16, 17, 18, 19, 20, 21, 22, 23, 24, 25, 26, 27, 28, 29, 30, 31, 32, 33, 34, 35, 36, 37, 38, 39, 40.

11 PGL Relay socket for chassis mounting (solder tags: 3,8x0,8 mm)



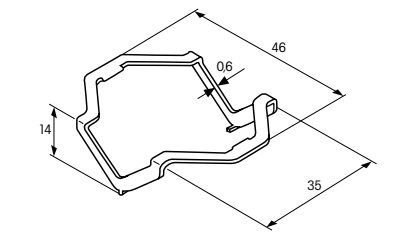
Labels: comat. Dimensions: 38, 27, 39, 4, 1,5, 3,5, 4,5, 11, 10, 6,5, 4, 3, 2, 1, 2, 3, 4, 5, 6, 7, 8, 9, 10, 11, 12, 13, 14, 15, 16, 17, 18, 19, 20, 21, 22, 23, 24, 25, 26, 27, 28, 29, 30, 31, 32, 33, 34, 35, 36, 37, 38, 39, 40.

RG-23 Surface mounting case with built-in relay socket (protected connection terminals)



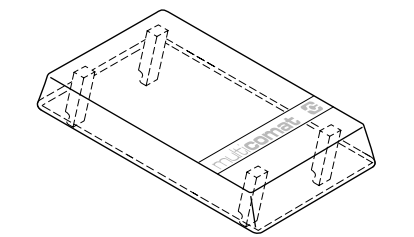
Labels: comat, RG-23. Dimensions: 50, 125, 97, 24, 1, 2, 3, 4, 5, 6, 7, 8, 9, 10, 11, 12, 13, 14, 15, 16, 17, 18, 19, 20, 21, 22, 23, 24, 25, 26, 27, 28, 29, 30, 31, 32, 33, 34, 35, 36, 37, 38, 39, 40.

HF-24 Retaining clip made of special spring steel suitable for all relay sockets



Dimensions: 46, 35, 14, 0,6.

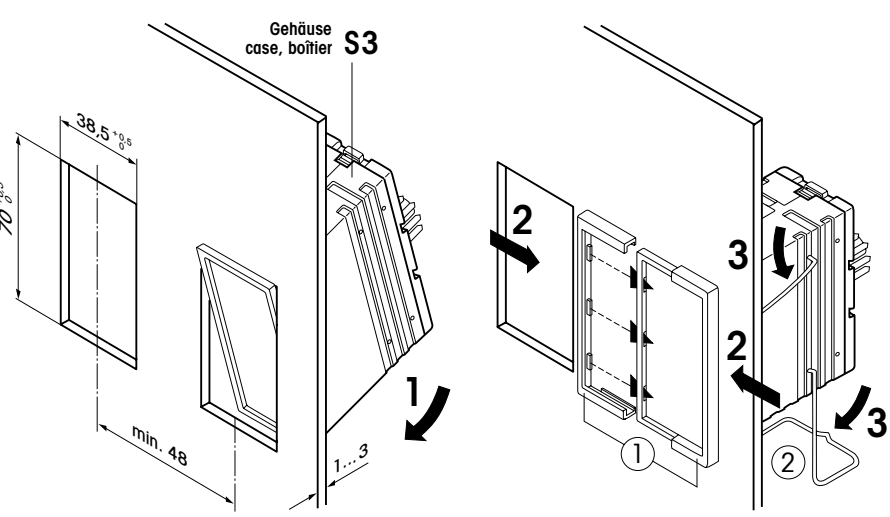
FS-23 Transparent cover (always included with the relay)



Empty space for additional information.

Empty space for additional information.

FZ-23 Front of panel mounting accessory comprising 2 front frame parts ① and 2 retaining clips ②



Labels: Gehäuse case, boîtier S3. Dimensions: 38,5, 70, min. 48, 1...3, 2, 3, 1, 2, 3.